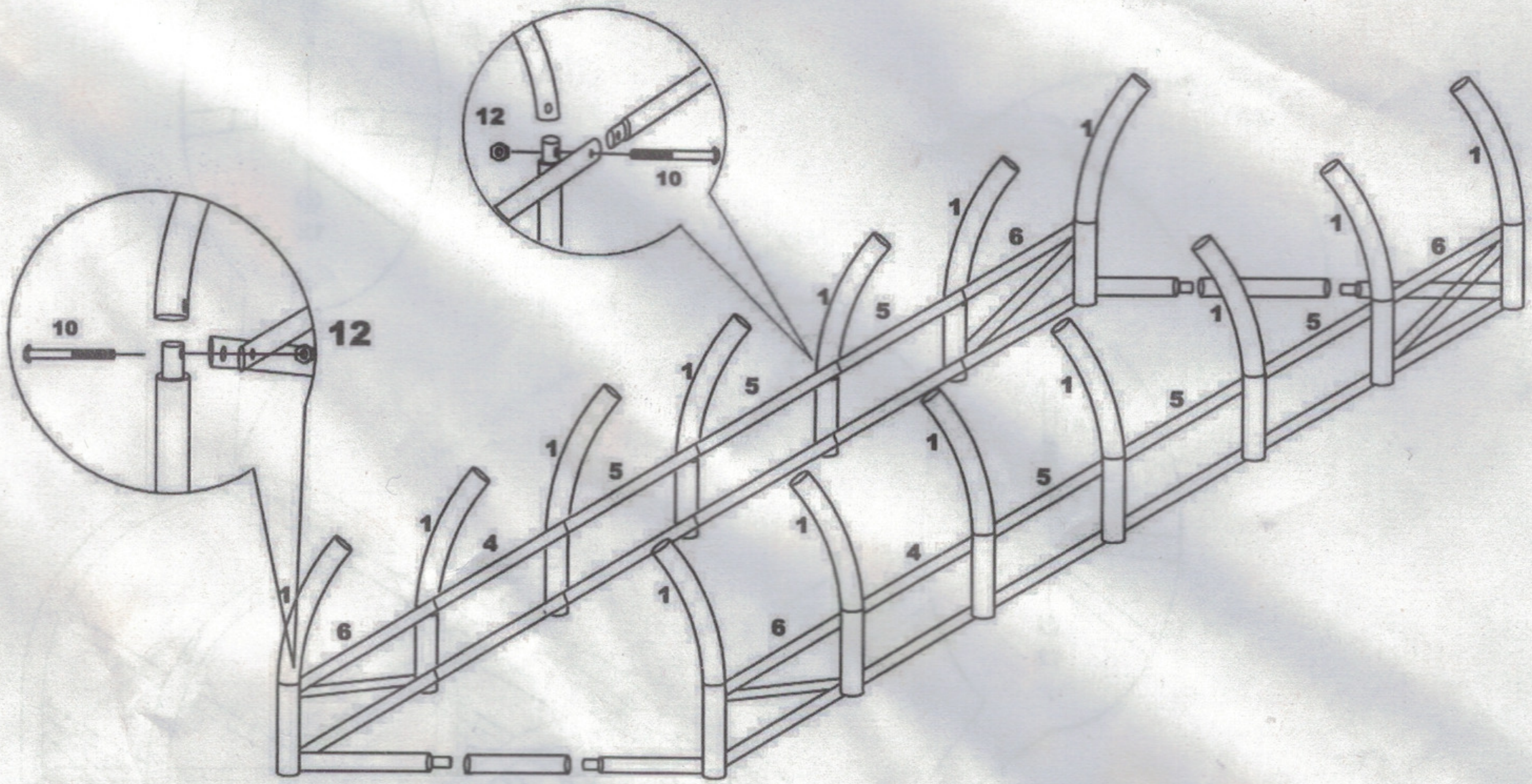


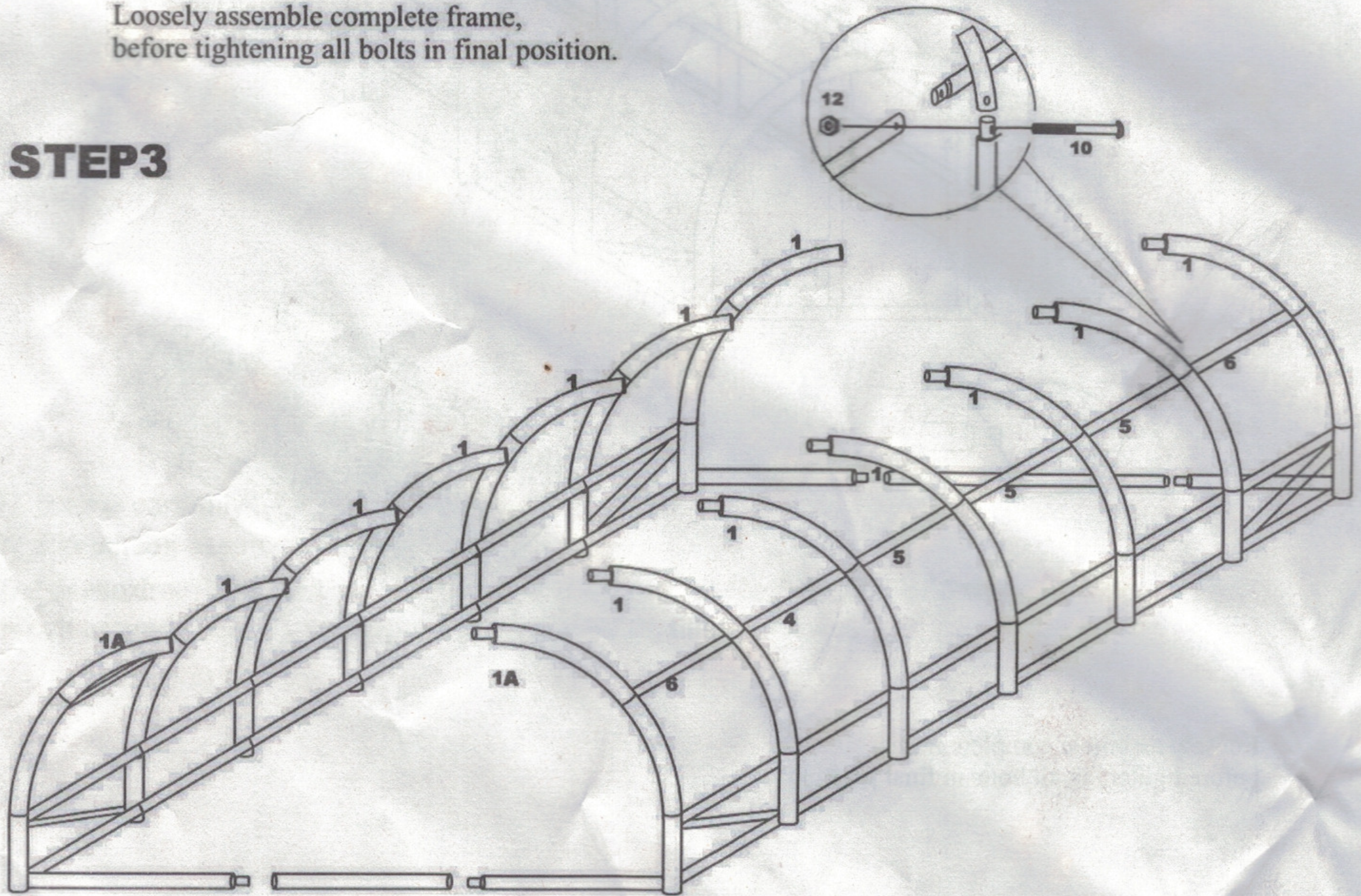
# STEP 2

49318

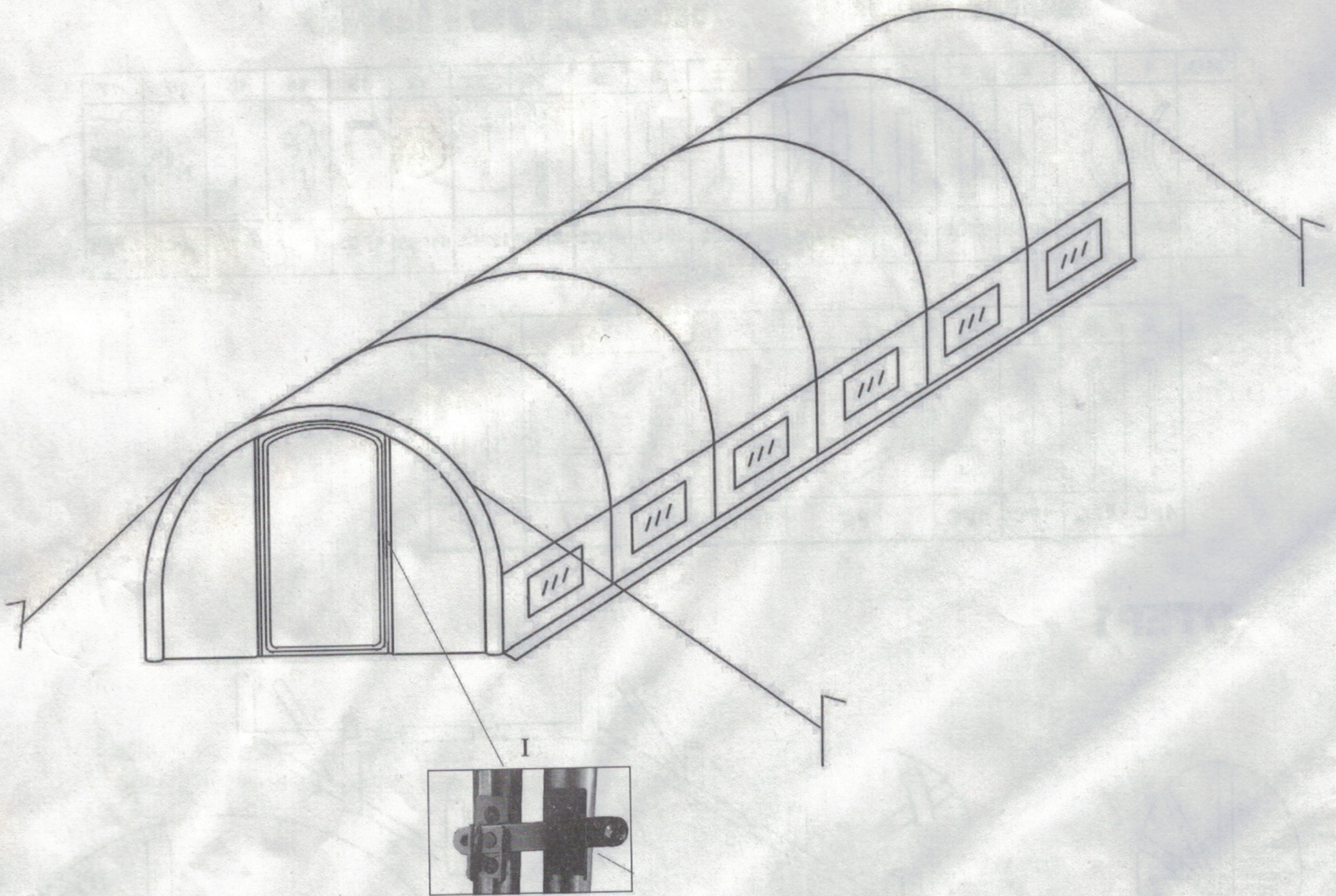


Loosely assemble complete frame,  
before tightening all bolts in final position.

# STEP 3



## STEP 5



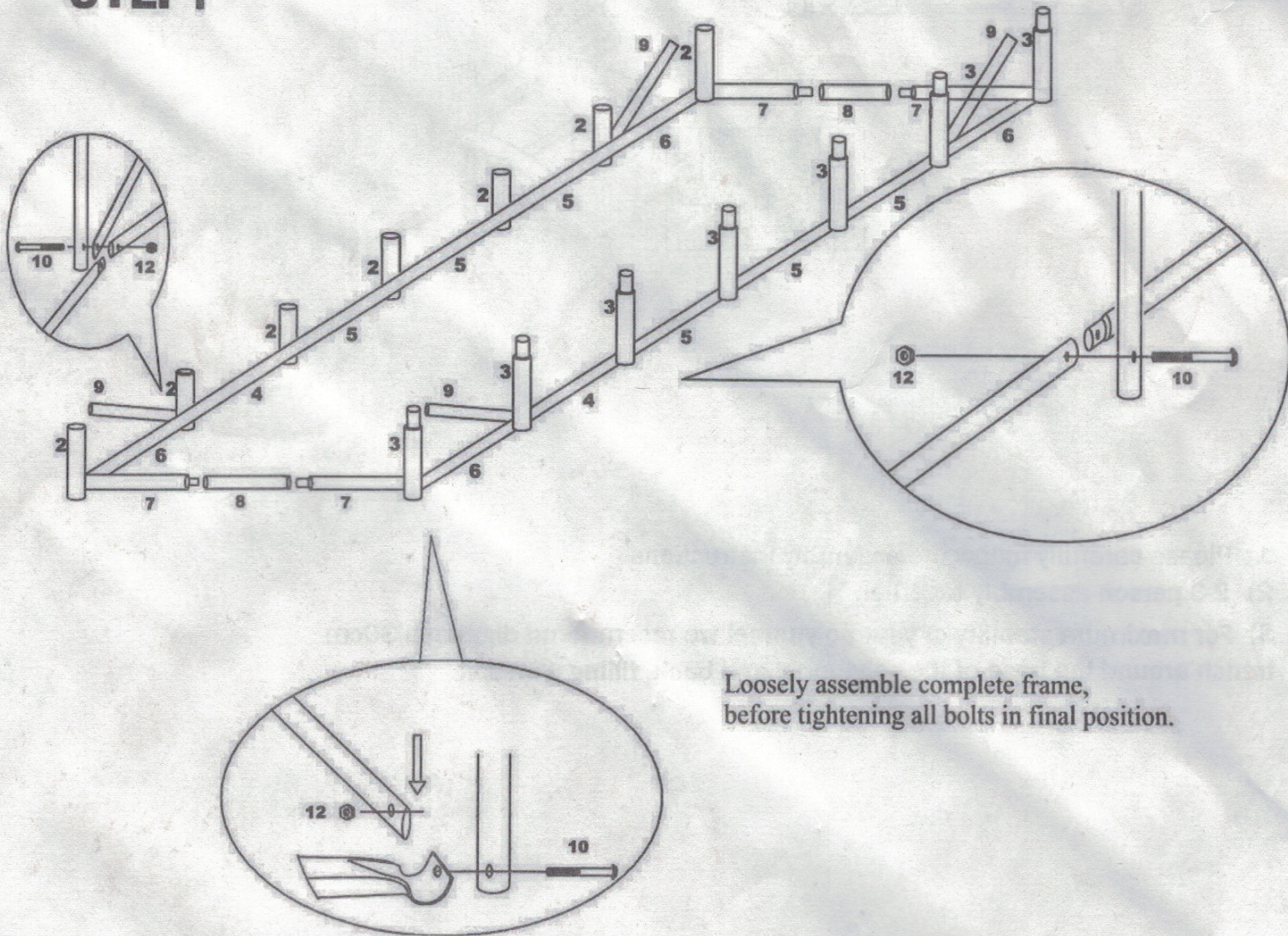
- 1) Please carefully follow the assembly instructions
- 2) 2-3 person assembly together
- 3) For maximum stability of your polytunnel we recommend digging a 30cm trench around the base of the polytunnel and back, filling with soil

# ASSEMBLY INSTRUCTIONS

NO.	1	1A	2	3	4	5	6	7	8	9	10	11	12	13	14	15	16	17
	26PCS	2PCS	7PCS	7PCS	7PCS	21PCS	14PCS	4PCS	2PCS	4PCS	49PCS	12PCS	61PCS	1PCS	1PCS	4PCS	4PCS	1PCS

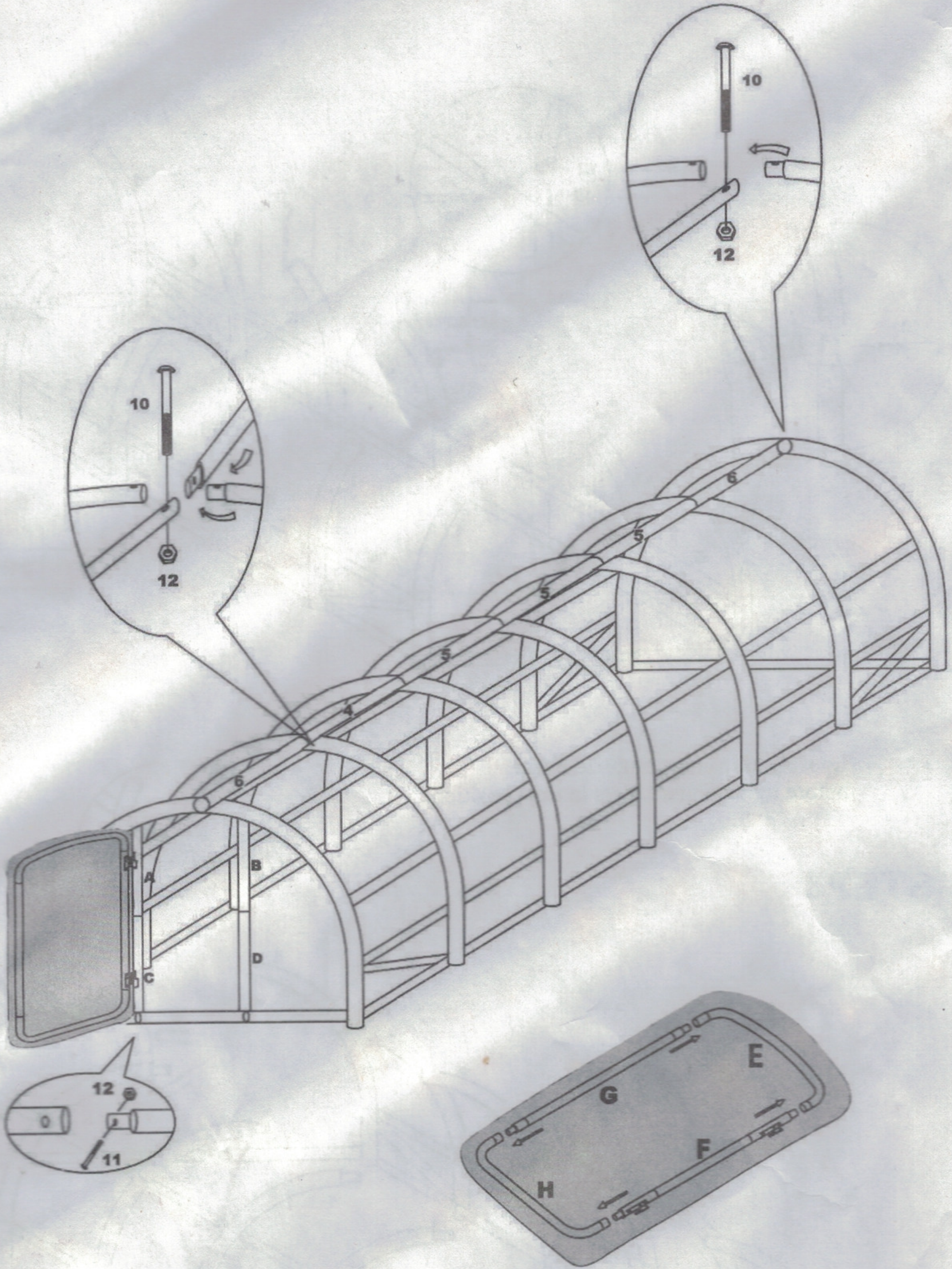
A	B	C	D	E	F	G	H	P1
1PC	1PC	1PC	1PC	1PC	1PC	1PC	1PC	1PC

## STEP 1



Loosely assemble complete frame,  
before tightening all bolts in final position.

# STEP 4



Loosely assemble complete frame,  
before tightening all bolts in final position.