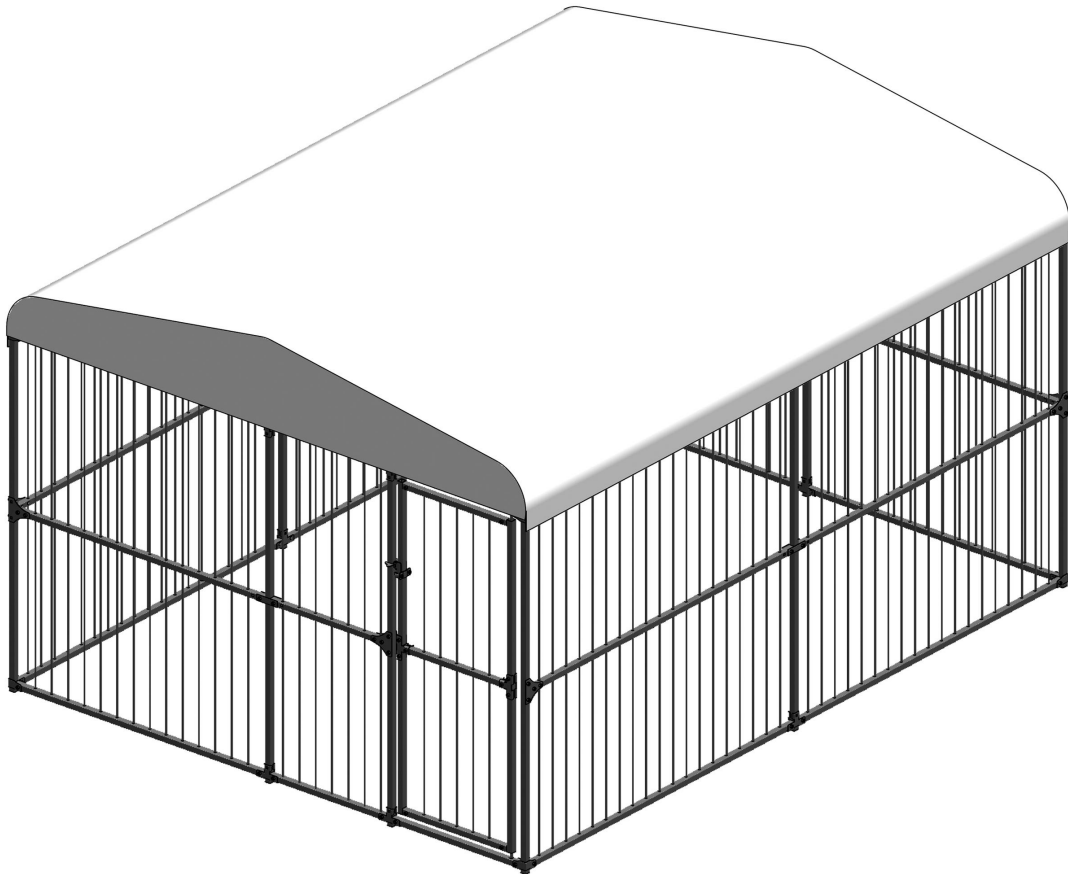


inthemarket.ie

home • garden • leisure

DOG RUN MANUAL




















4m x 3m x 2.2m










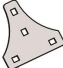

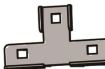
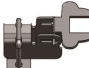








Please read this manual carefully before assembly

4mx3mx2.2m Part List

| Part No | Part Name | Part Picture | Part Quantity |
|---------|---------------|--|---------------|
| A | Tube A 520MM |  | 1 |
| B | Tube B 520MM |  | 2 |
| C | Tube C 1650MM |  | 1 |
| D | Tube D 1650MM |  | 1 |
| E | Tube E 1945MM |  | 4 |
| F | Tube F 1455MM |  | 3 |
| G | Tube G 1780MM |  | 3 |
| H | Tube H 1945MM |  | 4 |
| I | Tube I 1455MM |  | 3 |
| J | Tube J 1780MM |  | 4 |
| K | Tube K 1780MM |  | 1 |
| L | Tube L 770MM |  | 1 |
| M | Tube M 770MM |  | 1 |
| N | Tube N 1780MM |  | 1 |
| O | Tube O 650MM |  | 1 |
| P | Tube P 1945MM |  | 4 |
| Q | Tube Q 1455MM |  | 3 |

4mx3mx2.2m Part List

| Part No | Part Name | Part Picture | Part Quantity |
|---------|--------------------------|--|---------------|
| R | Tube R 770MM |  | 1 |
| S | Tube S 650MM |  | 1 |
| T | Tube T |  | 6 |
| U | Tube U |  | 2 |
| V | Tube V |  | 2 |
| | Gate Fence Tube |  | 5 |
| | Fence Tube |  | 125 |
| | Corner Brace |  | 3 |
| | Middle Brace |  | 8 |
| | Flat Brace |  | 2 |
| | Corner Clamp |  | 8 |
| | Gate Clamp |  | 24 |
| | Gate Latch |  | 1 |
| | 4-Way Connector |  | 2 |
| | 4-Way Joint |  | 1 |
| | Bolt and Nut |  | 80 |
| | Screw |  | 12 |
| | Ground Anchor (optional) |  | |
| | Ground Anchor (optional) |  | |

○ 4mx3mx2.2m

Step 1 - Build The Gate

Important: Assemble on a level surface.

Gather(Quantity)

(1)Tube A

(2)Tube B

(1)Tube C

(1)Tube D

(5)Gate Fence Tube

(4)Gate Clamp

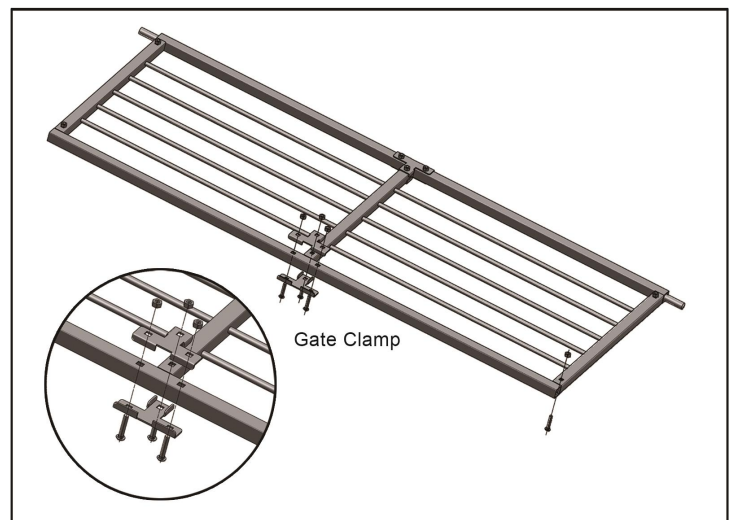
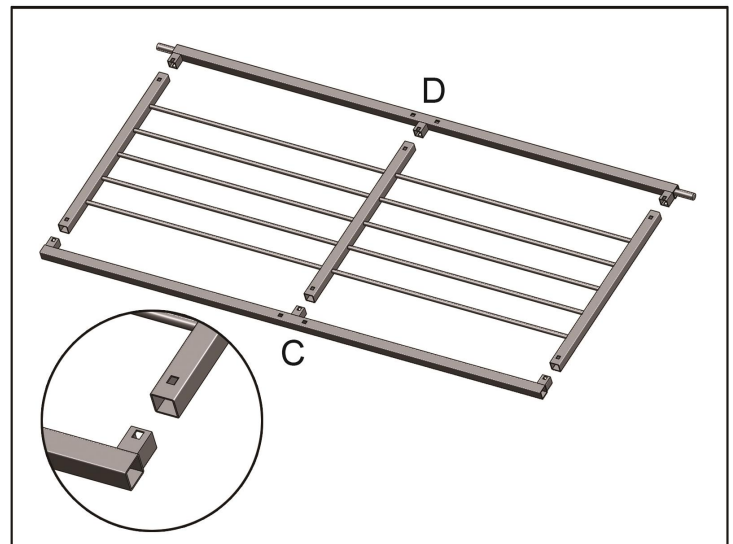
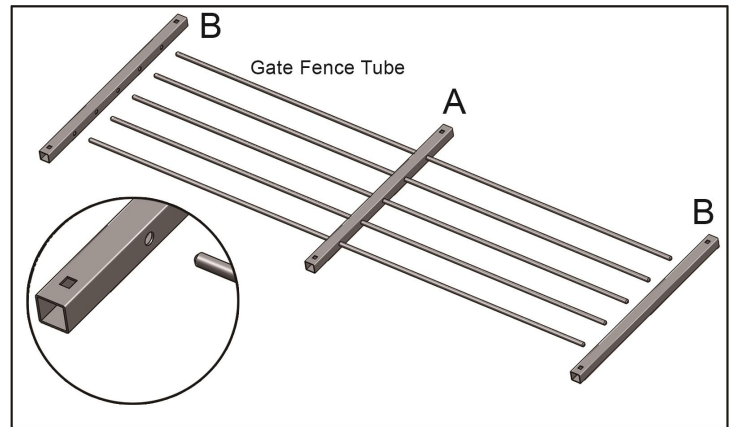
(10)Bolt and Nut

1.Lay tube A on the ground and insert the five gate fence tubes,then assemble tube B,as per the diagram.Place tube A in the middle.

2.Insert tube C and D,as per the diagram.Adjust tube A to catch the brackets on tube C and D.

3.Mount the gate clamps,bolts and nuts, as per the diagram.There are 10 bolts and nuts on your finished gate.

Nuts should face outwards from the dog run.



○ 4mx3mx2.2m

Step 2 - Build The Dog Run

Gather(Quantity)

(1)Tube E

(1)Tube F

(1)Tube G

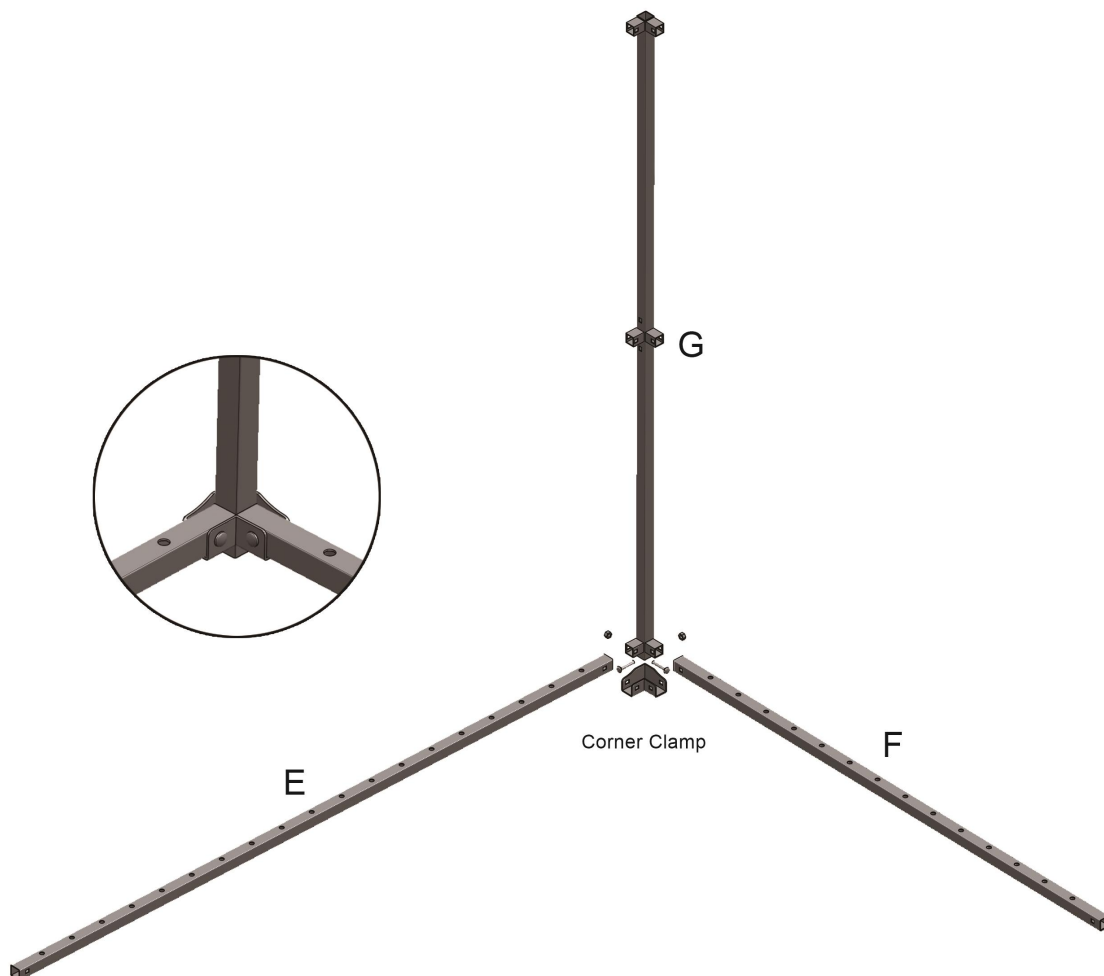
(1)Corner Clamp

(2)Bolt and Nut

1.Erect tube G and mount tube E and tube F to the bracket on tube G,then mount the corner clamp,bolts and nuts,as per the diagram below.

Please do not fully fasten bolts and nuts until you complete the dog run,some adjustment may be required.

Nuts should face outwards from the dog run.



○ 4mx3mx2.2m

Gather(Quantity)

(1)Tube H

(1)Tube I

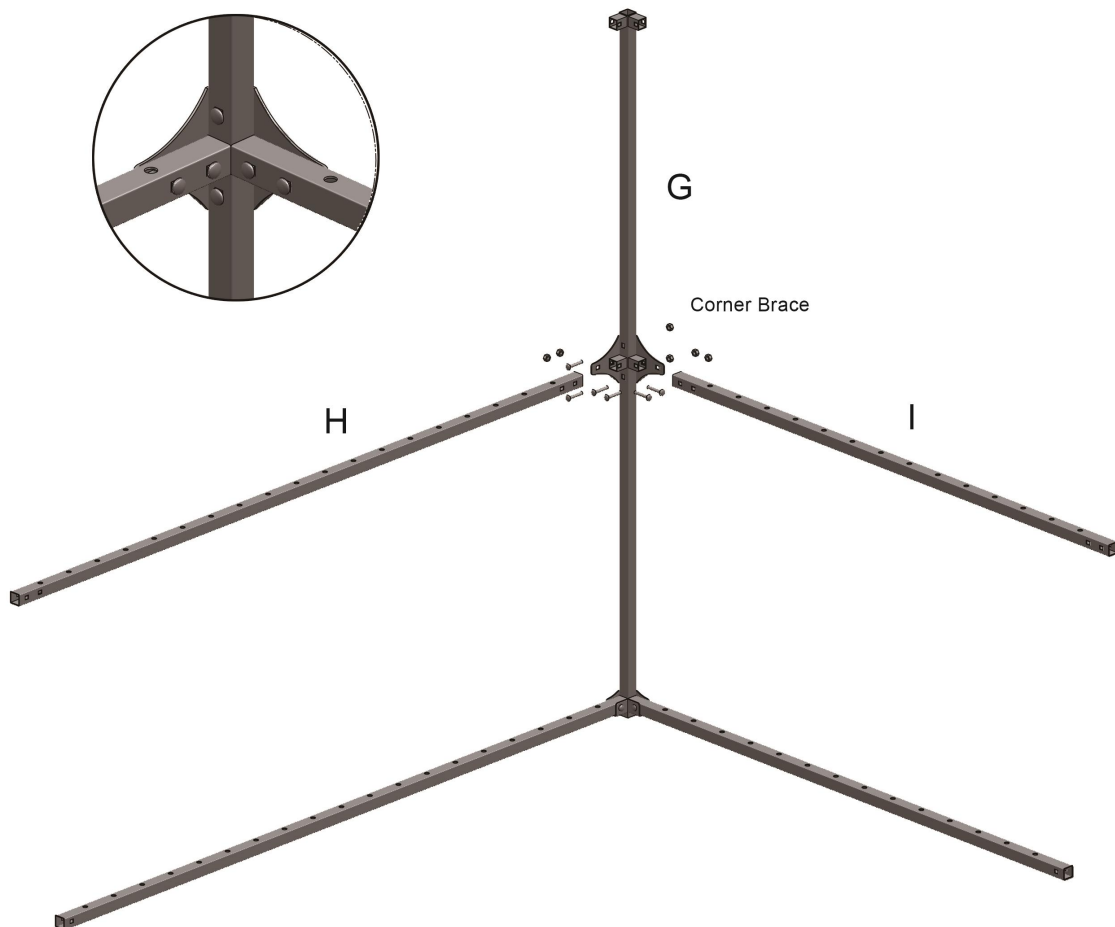
(1)Corner Brace

(6)Bolt and Nut

2.Mount tube H and tube I to the bracket on tube G,then mount the corner brace, bolts and nuts,as per the diagram below.

Please do not fully fasten bolts and nuts until you complete the dog run,some adjustment may be required.

Nuts should face outwards from the dog run.



○ 4mx3mx2.2m

Gather(Quantity)

(1)Tube E

(1)Tube F

(2)Tube G

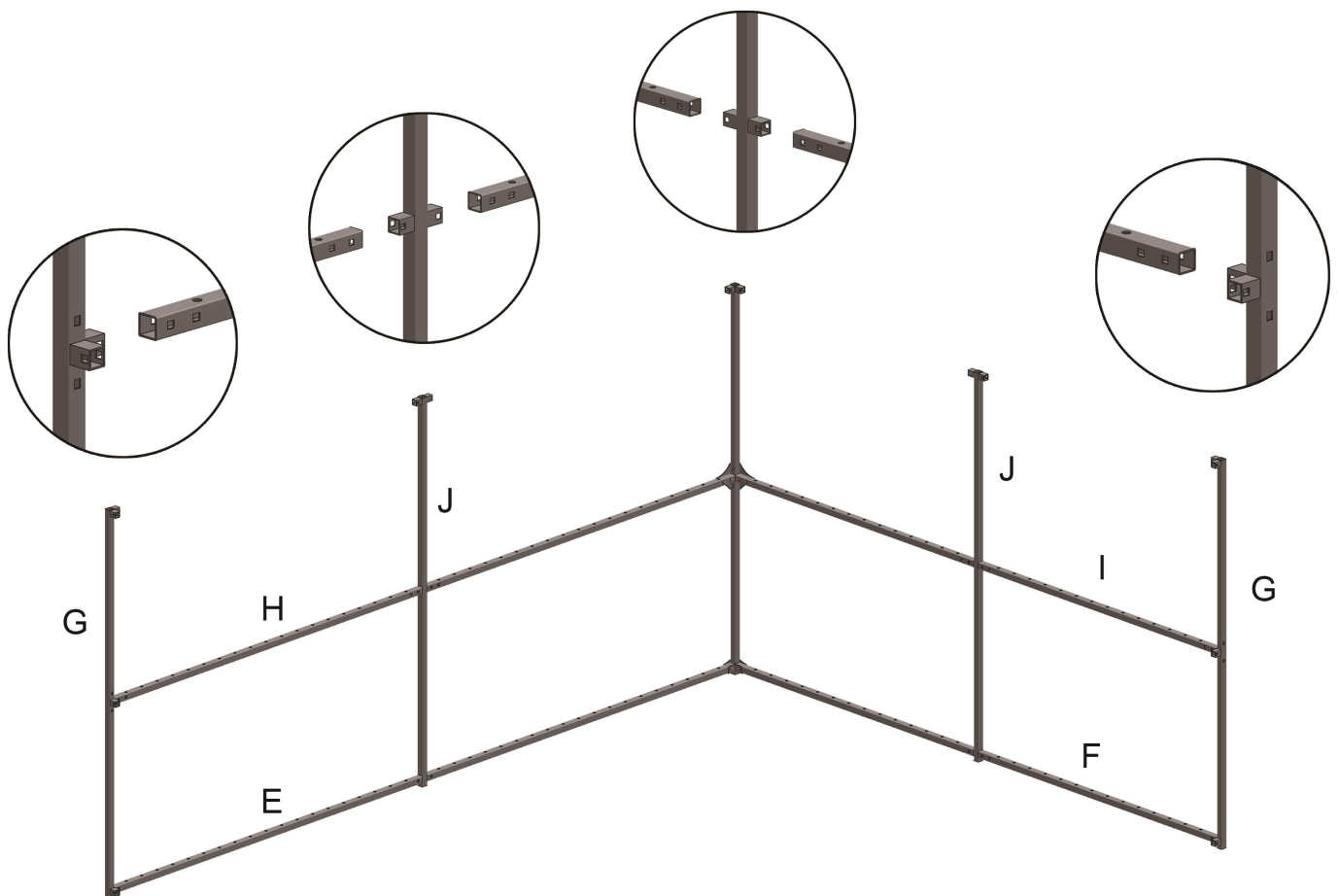
(1)Tube H

(1)Tube I

(2)Tube J

3. Mount tube J to tube E and tube H, then mount tube J to tube F and tube I, next mount tube E and tube H to the bracket on tube J and tube G, next mount tube F and tube I to the bracket on tube J and tube G, as per the diagram below.

Do not mount gate clamp, middle brace, bolts and nuts in this step.



○ 4mx3mx2.2m

Gather(Quantity)

(4)Gate Clamp

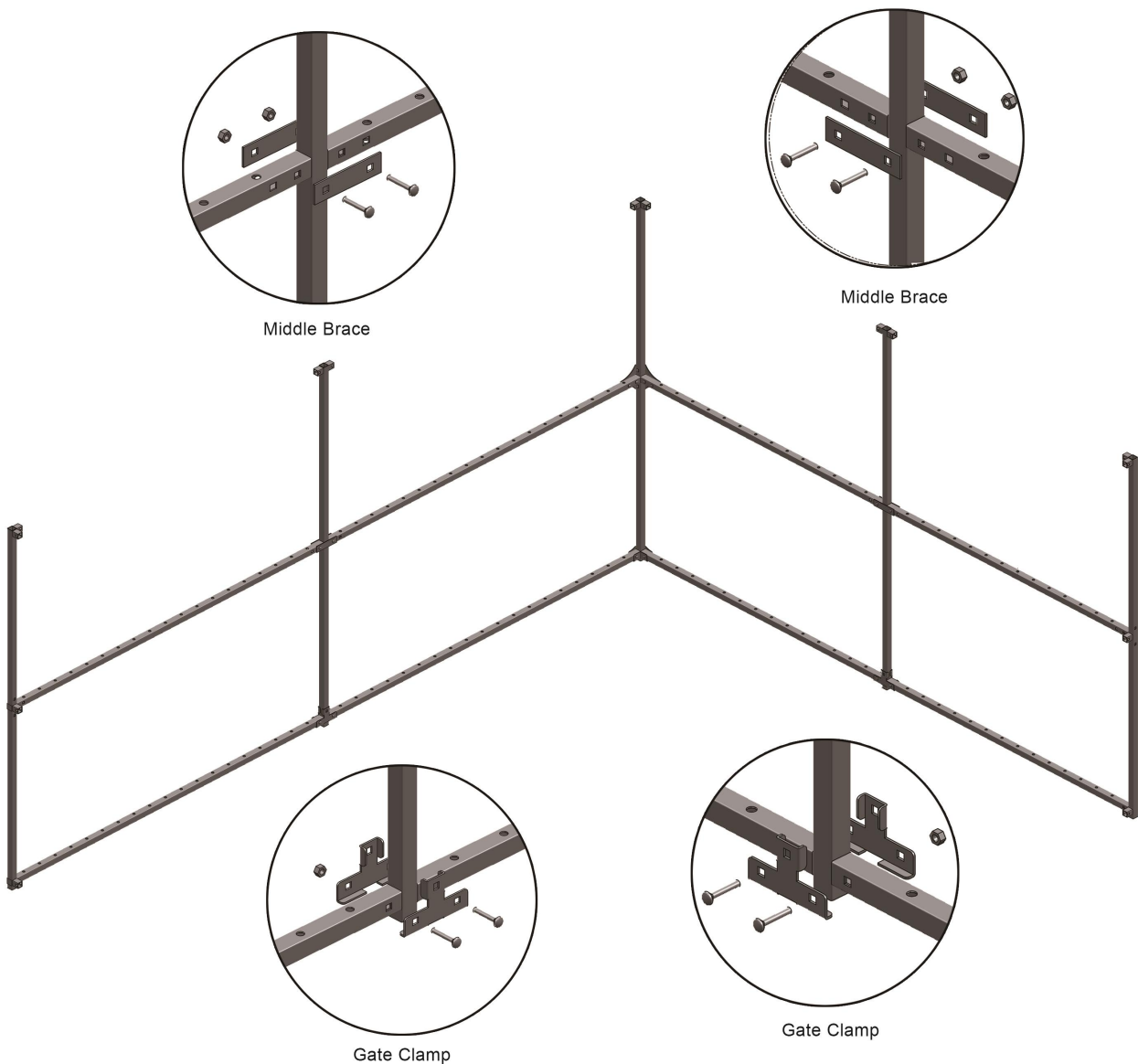
(4)Middle Brace

(8)Bolt and Nut

4. Mount gate clamp, middle brace, bolts and nuts, as per the diagram below.

Please do not fully fasten bolts and nuts until you complete the dog run, some adjustment may be required.

Nuts should face outwards from the dog run.



○ 4mx3mx2.2m

Gather(Quantity)

(2)Tube E

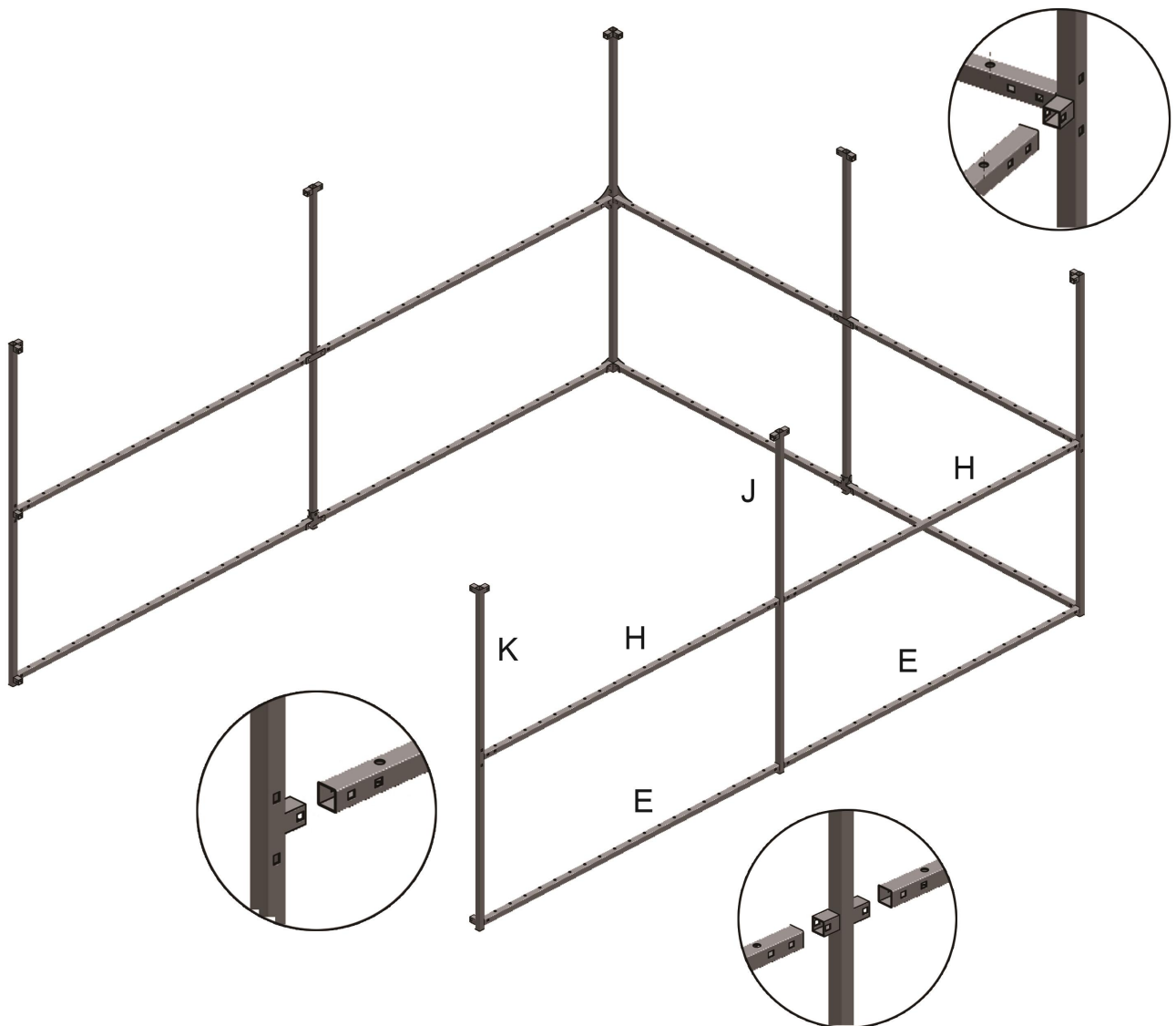
(2)Tube H

(1)Tube J

(1)Tube K

5. Mount tube E and tube H to the bracket on tube G and tube J, then mount tube E and tube H to the bracket on tube J and tube K, as per the diagram below.

Do not mount corner brace, corner clamp, middle brace, gate clamp, flat brace, bolts and nuts in this step.



○ 4mx3mx2.2m

Gather(Quantity)

(1)Corner Brace

(1)Corner Clamp

(1)Flat Brace

(2)Gate Clamp

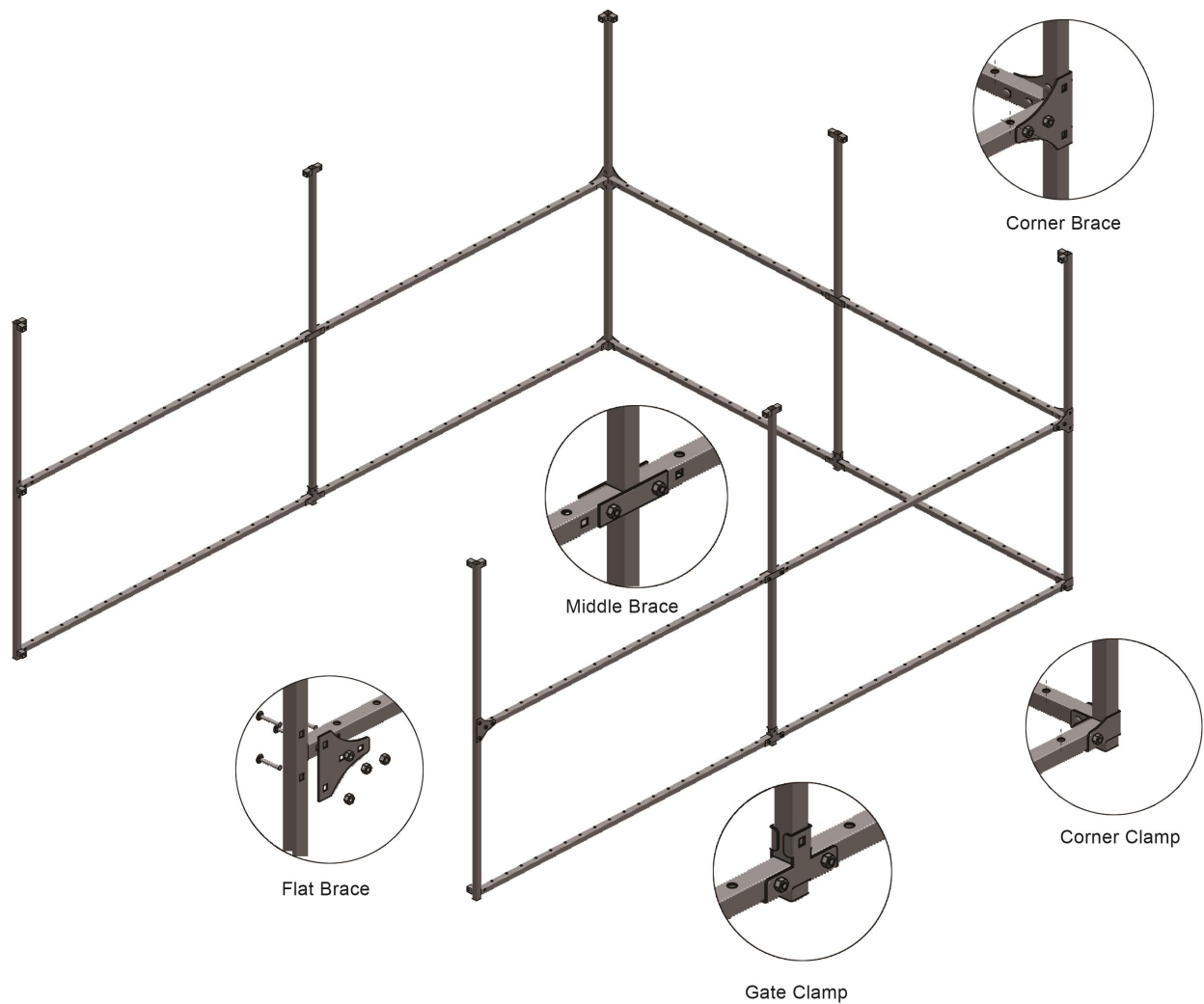
(2)Middle Brace

(16)Bolt and Nut

6.Mount corner brace,corner clamp,middle brace,gate clamp,flat brace,bolts and nuts,as per the diagram below.

Please do not fully fasten bolts and nuts until you complete the dog run,some adjustment may be required.

Nuts should face outwards from the dog run.



○ 4mx3mx2.2m

Gather(Quantity)

(1)Tube F

(1)Tube I

(1)Tube J

(1)Tube L

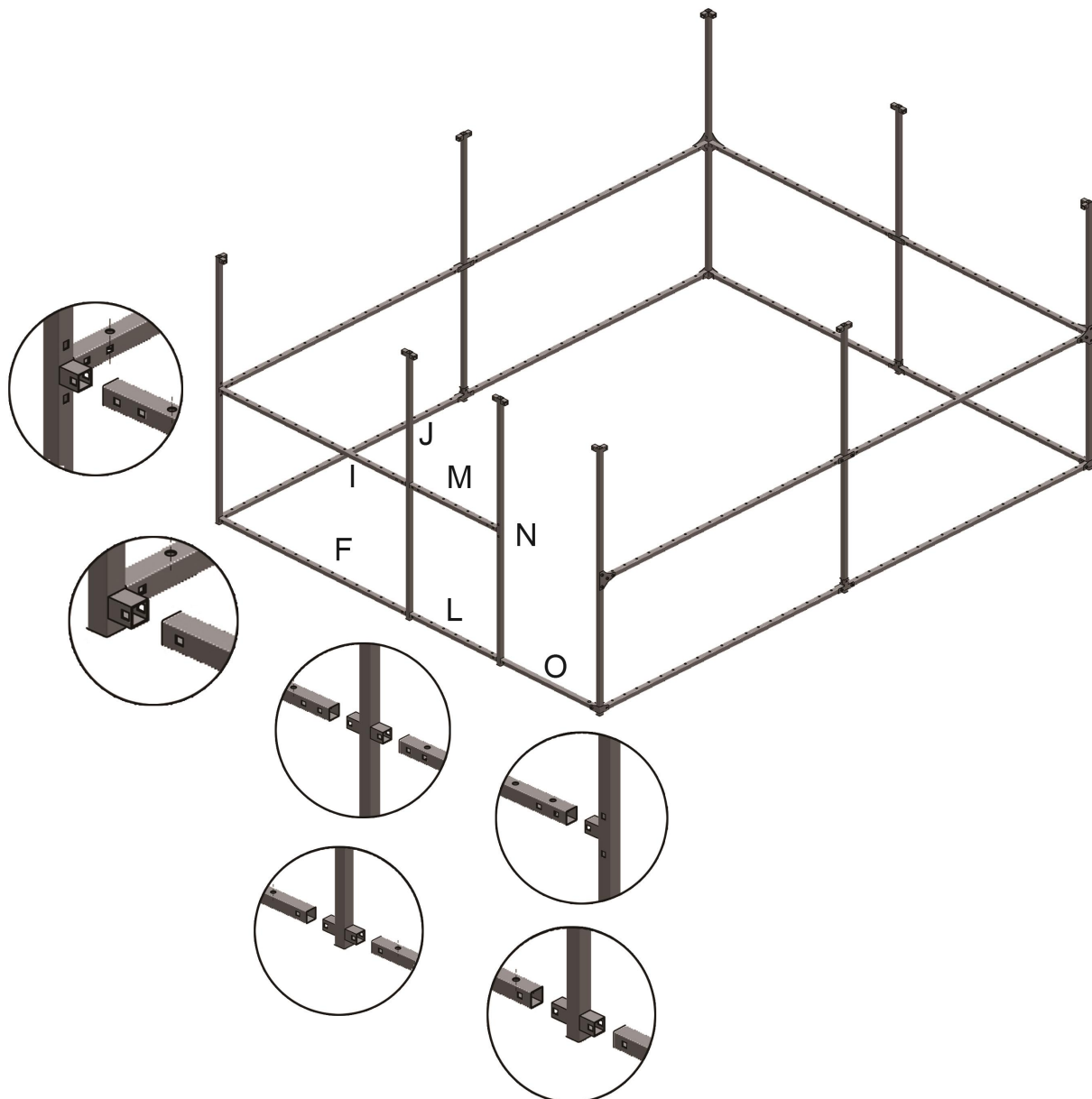
(1)Tube M

(1)Tube N

(1)Tube O

7.Mount tube F and tube I to the bracket on tube G and tube J,then mount tube L and tube M to the bracket on tube J and tube N,next mount tube O to the bracket on tube K and tube N,as per the diagram below.

Do not mount corner brace,corner clamp,middle brace,flat brace,gate clamp,bolts and nuts in this step.



○ 4mx3mx2.2m

Gather(Quantity)

(1)Corner Brace

(2)Corner Clamp

(2)Middle Brace

(1)Flat Brace

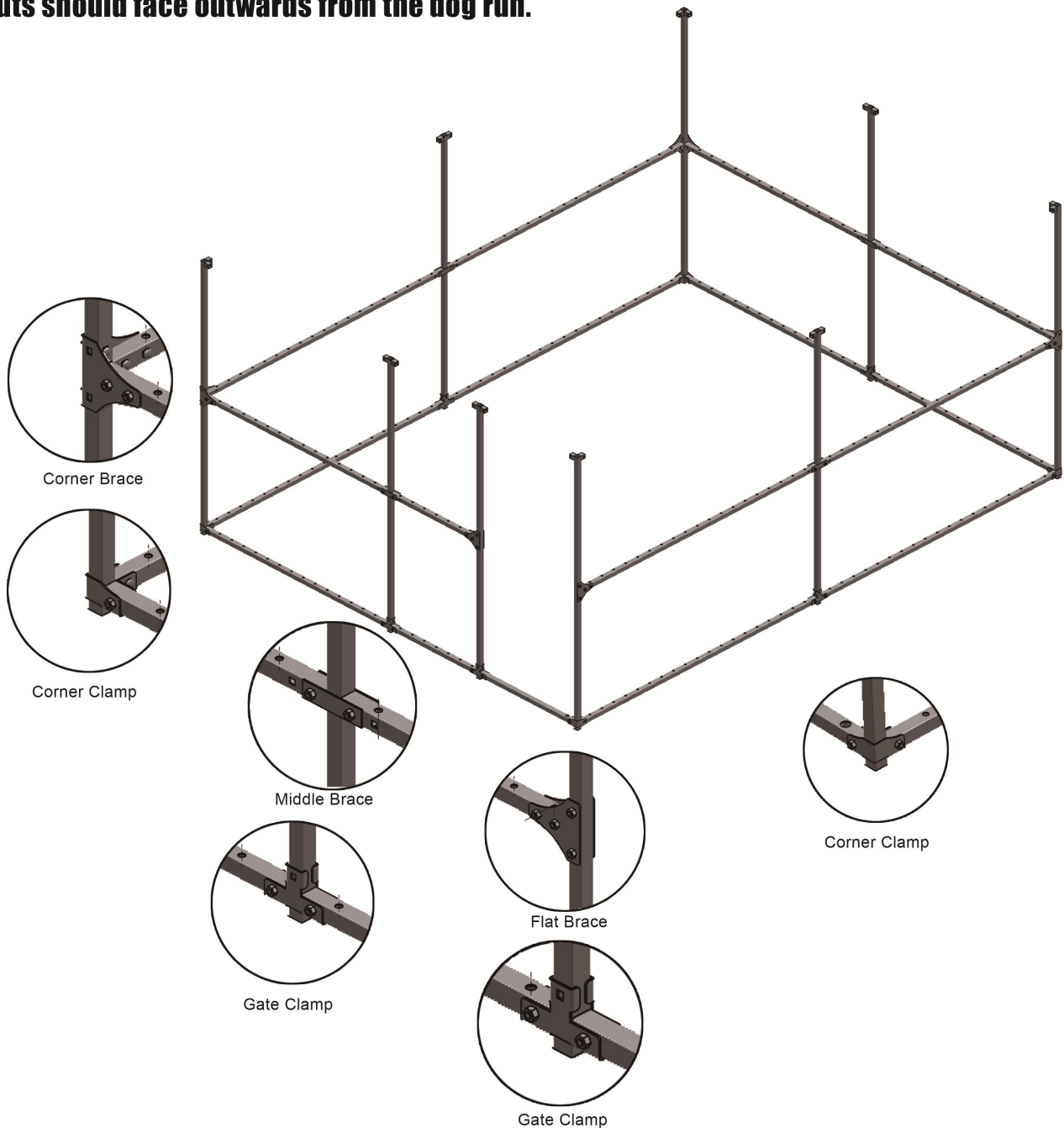
(4)Gate Clamp

(20)Bolt and Nut

8. Mount corner brace,corner clamp,middle brace,flat brace,gate clamp,bolts and nuts,as per the diagram below.

Please do not fully fasten bolts and nuts until you complete the dog run,some adjustment may be required.

Nuts should face outwards from the dog run.

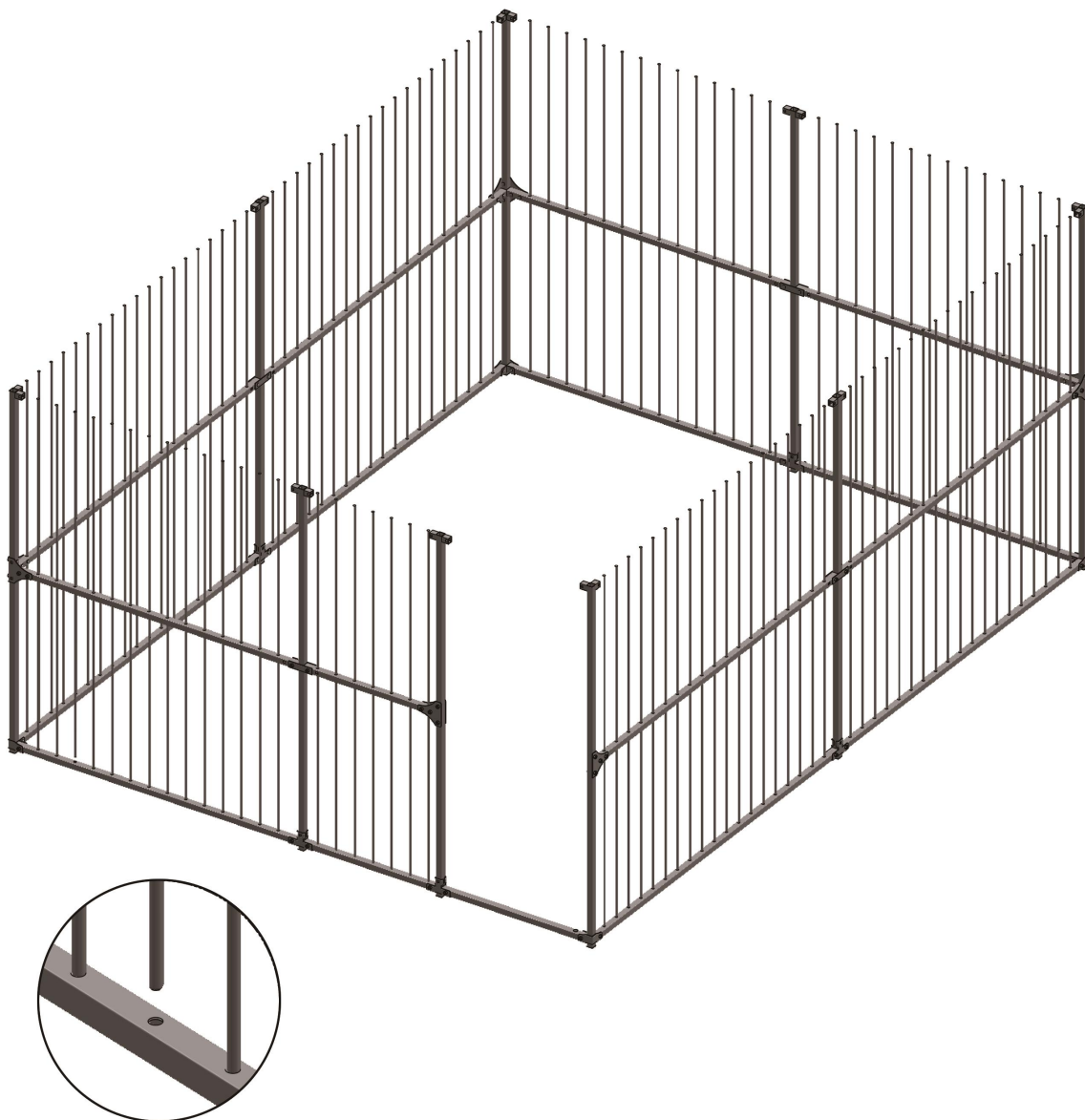


○ 4mx3mx2.2m

Gather(Quantity)

(125)Fence Tube

9.Insert all 125 fence tubes,as per the diagram below.



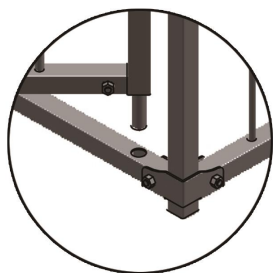
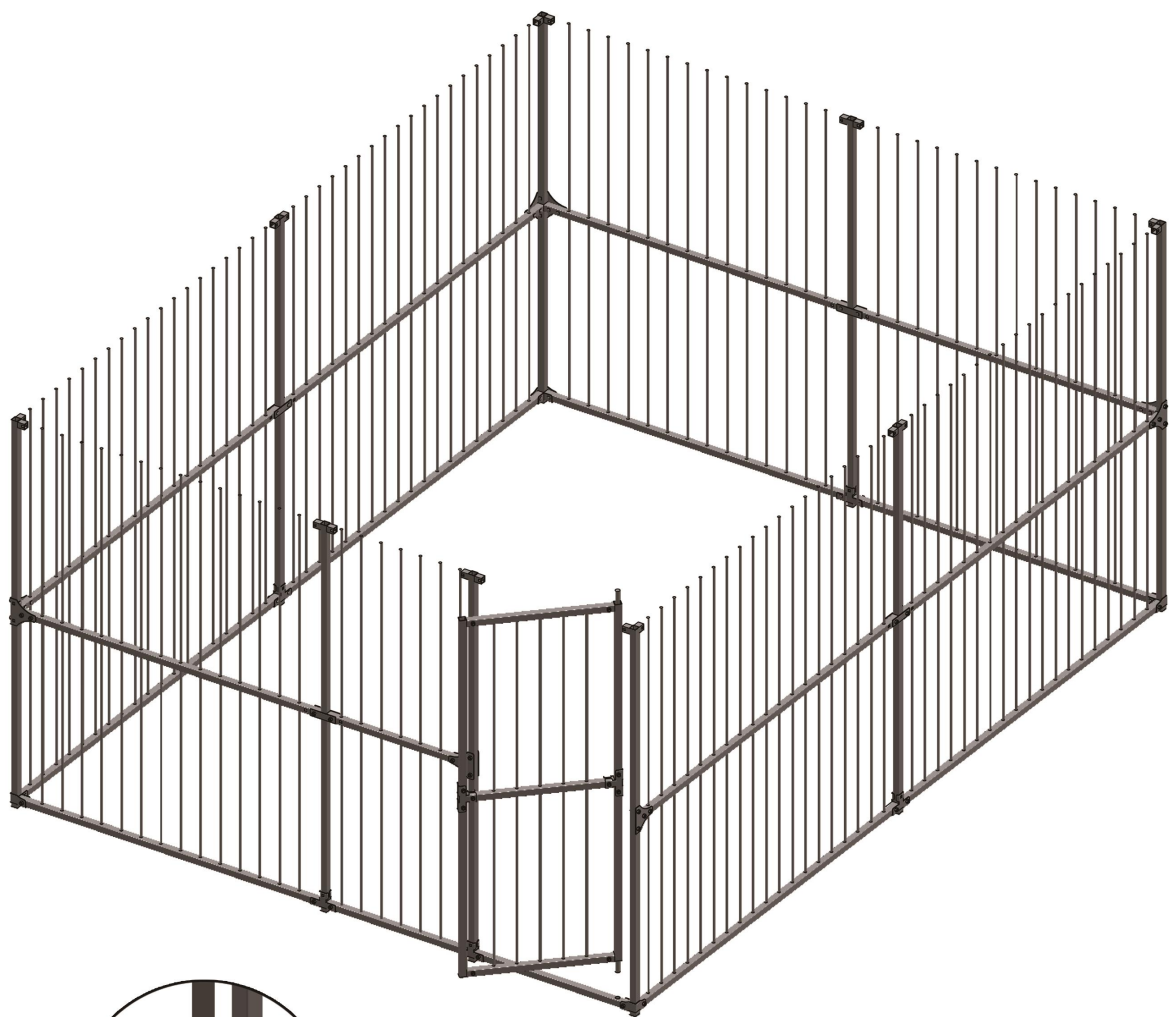
○ 4mx3mx2.2m

Gather(Quantity)

(1)Gate

10.Insert the gate,as per the diagram below.

Nuts should face outwards from the dog run.



○ 4mx3mx2.2m

Gather(Quantity)

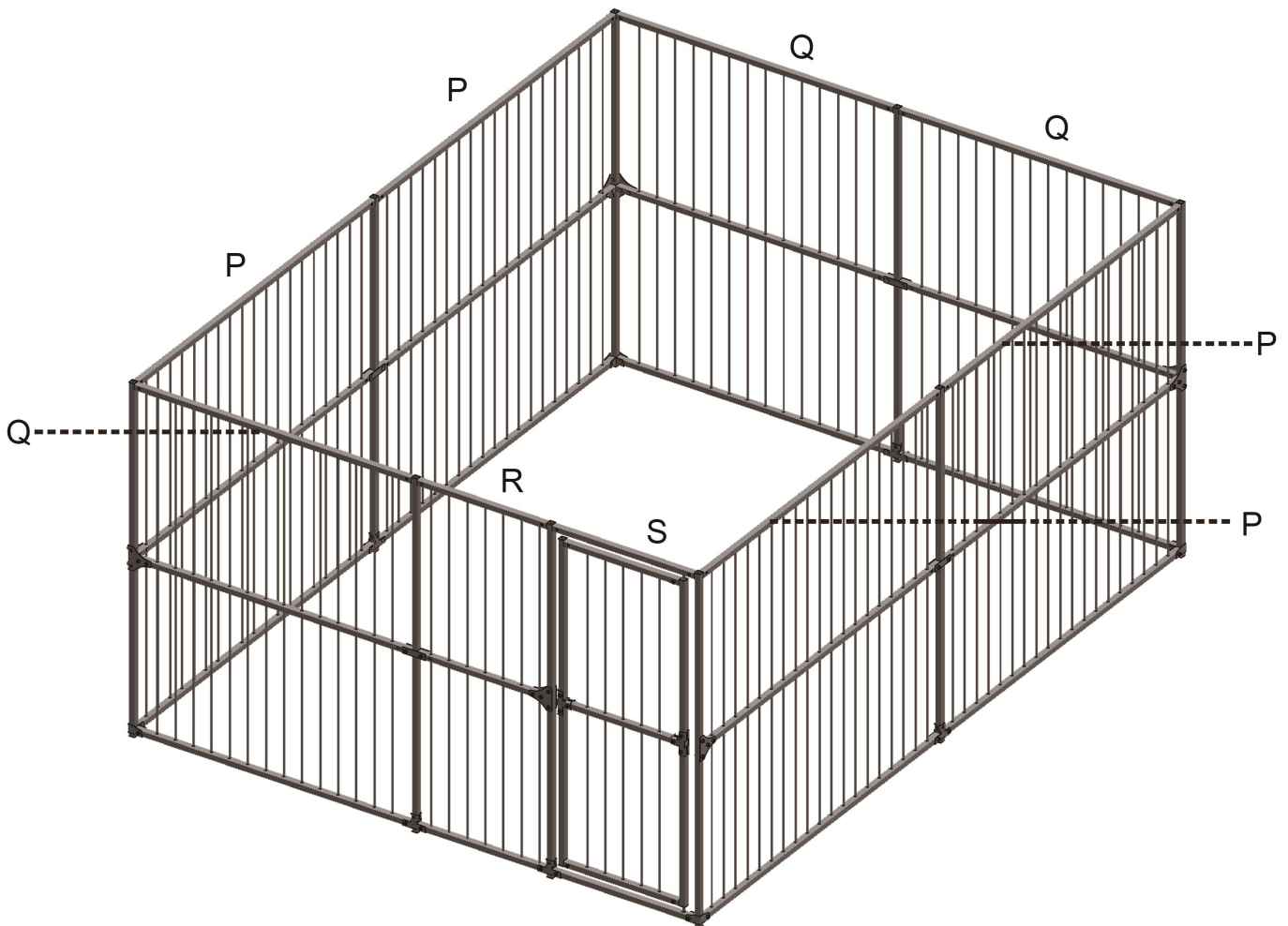
(4)Tube P

(3)Tube Q

(1)Tube R

(1)Tube S

11. Mount tube P, tube Q, tube R and tube S, as per the diagram below.



4mx3mx2.2m

Gather(Quantity)

(4)Corner Clamp

(10)Gate Clamp

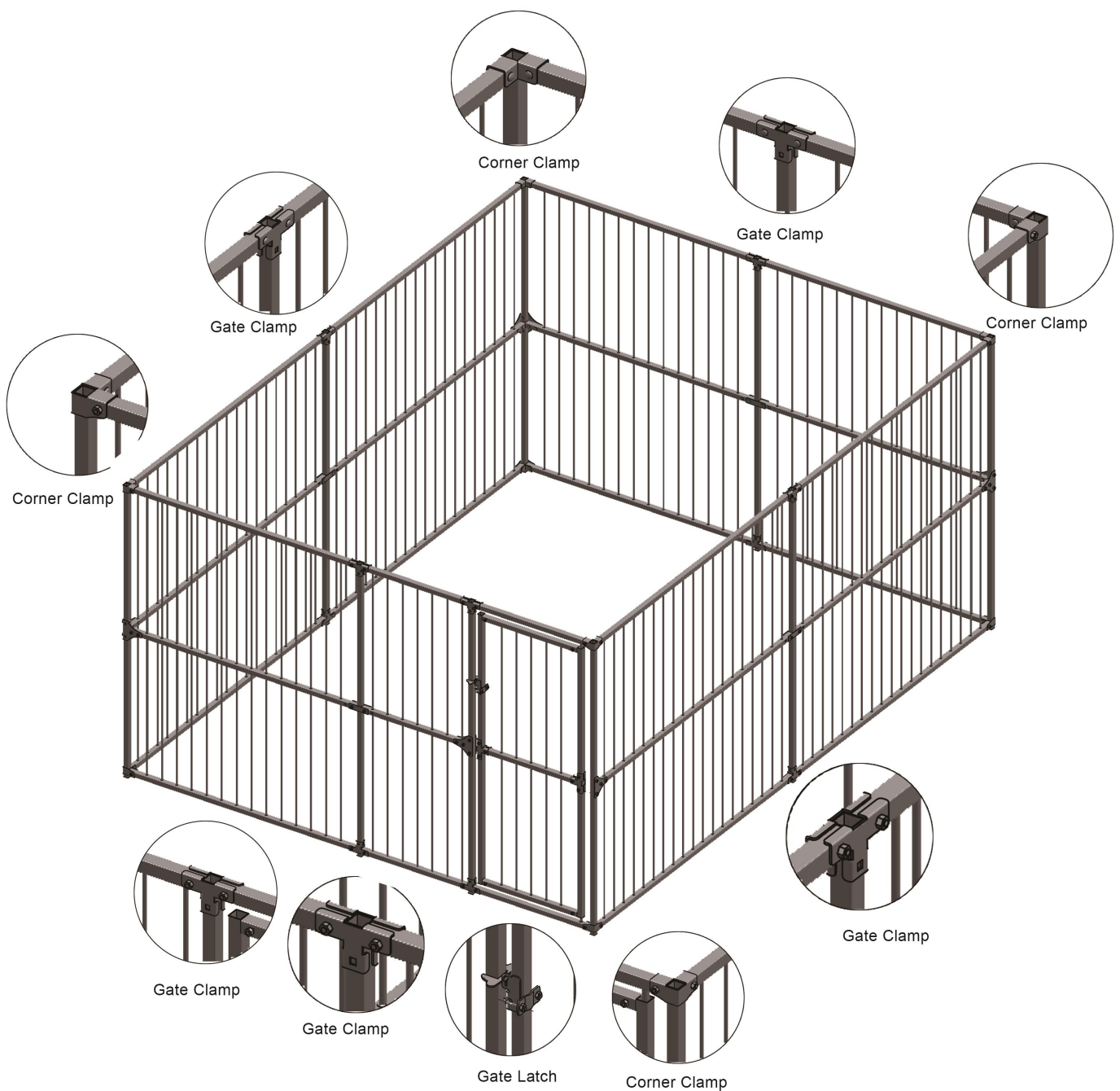
(1)Gate Latch

(18)Bolt and Nut

12. Mount corner clamp, gate clamp, gate latch, bolts and nuts, as per the diagram below.

Please do not fully fasten bolts and nuts until you complete the dog run, some adjustment may be required.

Nuts should face outwards from the dog run.



○ 4mx3mx2.2m

13.Fasten all bolts.

Gather(Quantity)

(6)Tube T

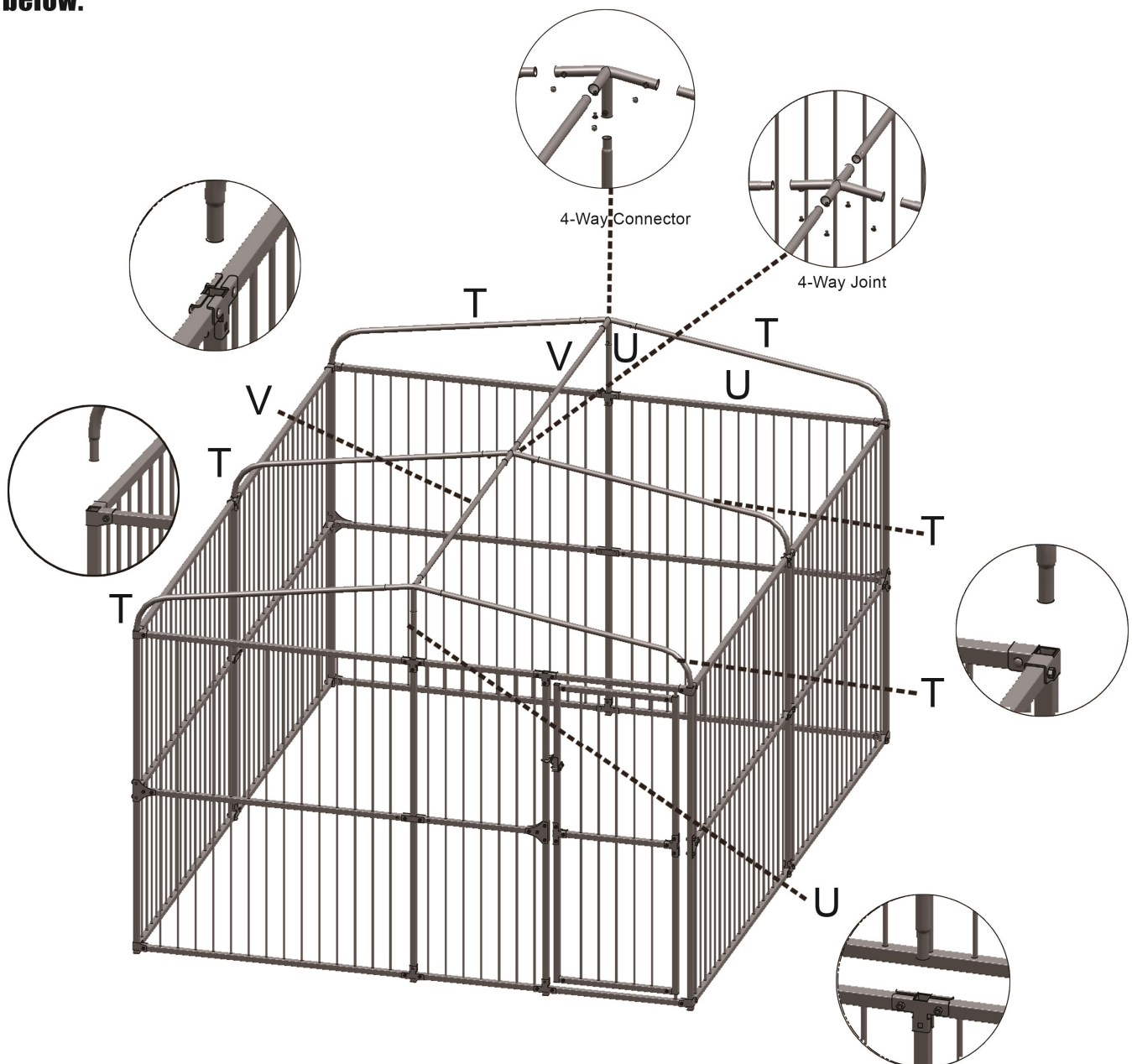
(2)Tube U

(2)Tube V

(2)4-Way Connector

(1)4-Way Joint

14.Mount tube T to tube G,tube J and tube K,then mount tube U to tube J,next mount tube T,tube U and tube V to 4-way connector,next mount tube T and tube V to 4-way joint,finally fasten 4-way connector and 4-way joint with screws,as per the diagram below.



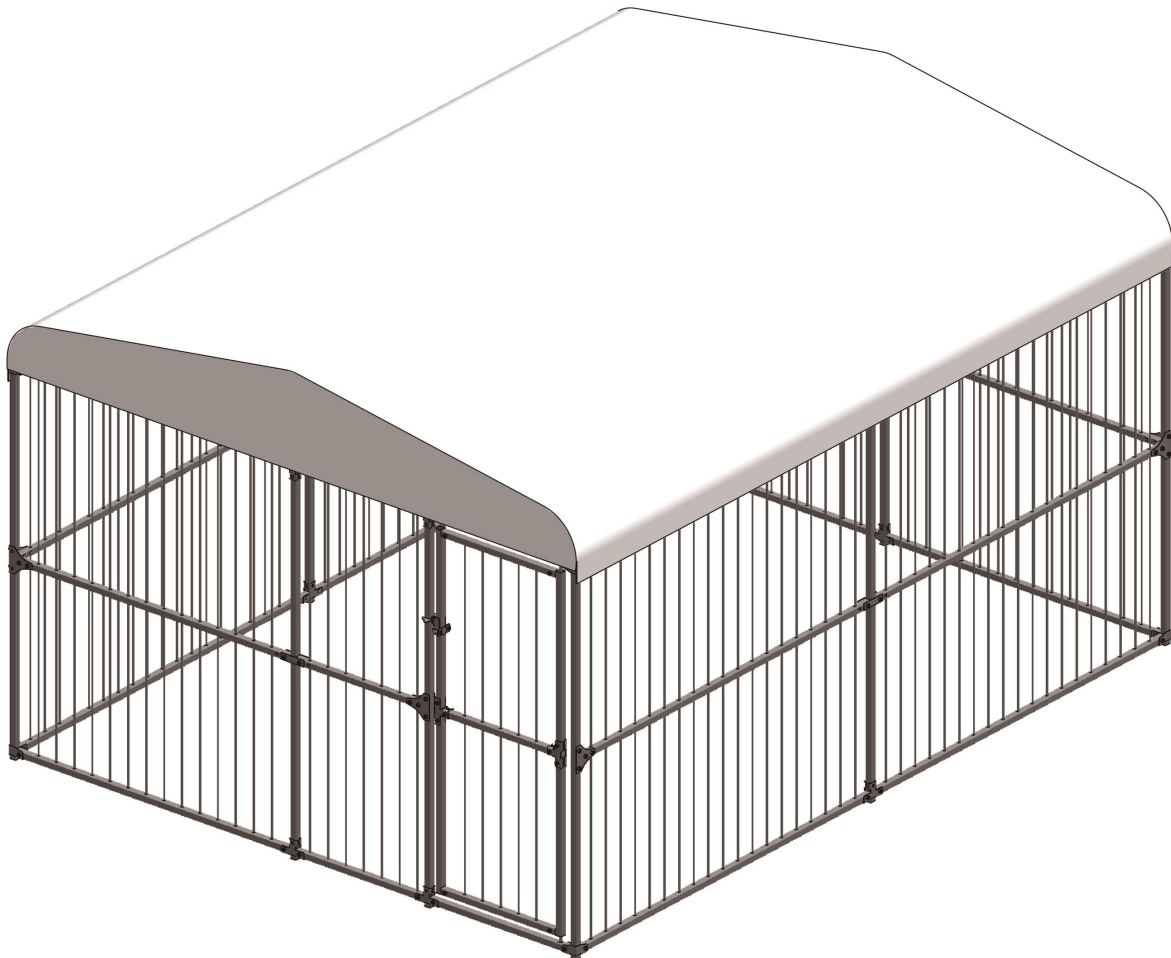
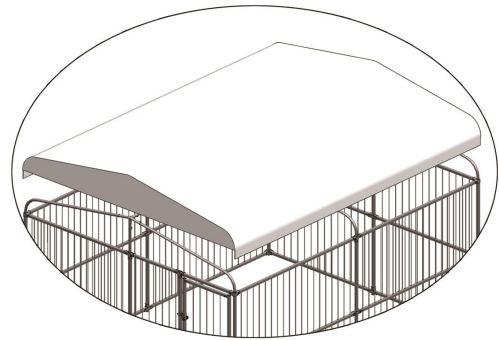
○ 4mx3mx2.2m

Step 3 - Install The Roof Cover

Gather(Quantity)

(1)Roof Cover

1.Install the roof cover with bungee cord,as per the diagram below.



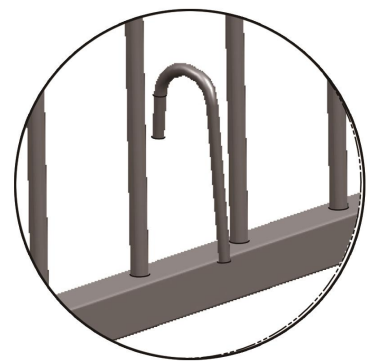
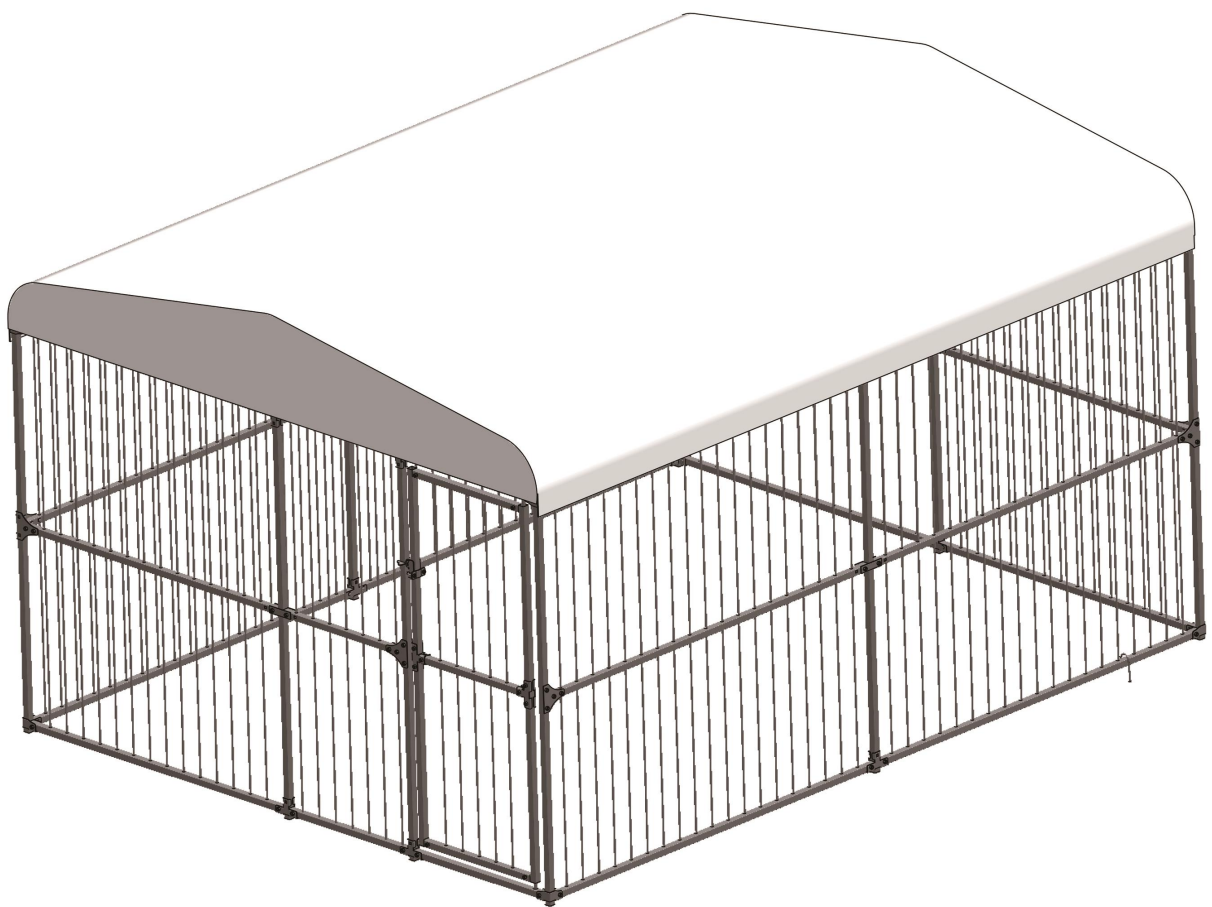
○ 4mx3mx2.2m

Step 4 - (optional)

Ground Anchor

It is an optional extra for grass use.

Pls disregard this step if no ground anchor has been purchased.



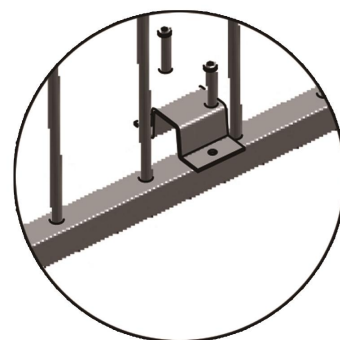
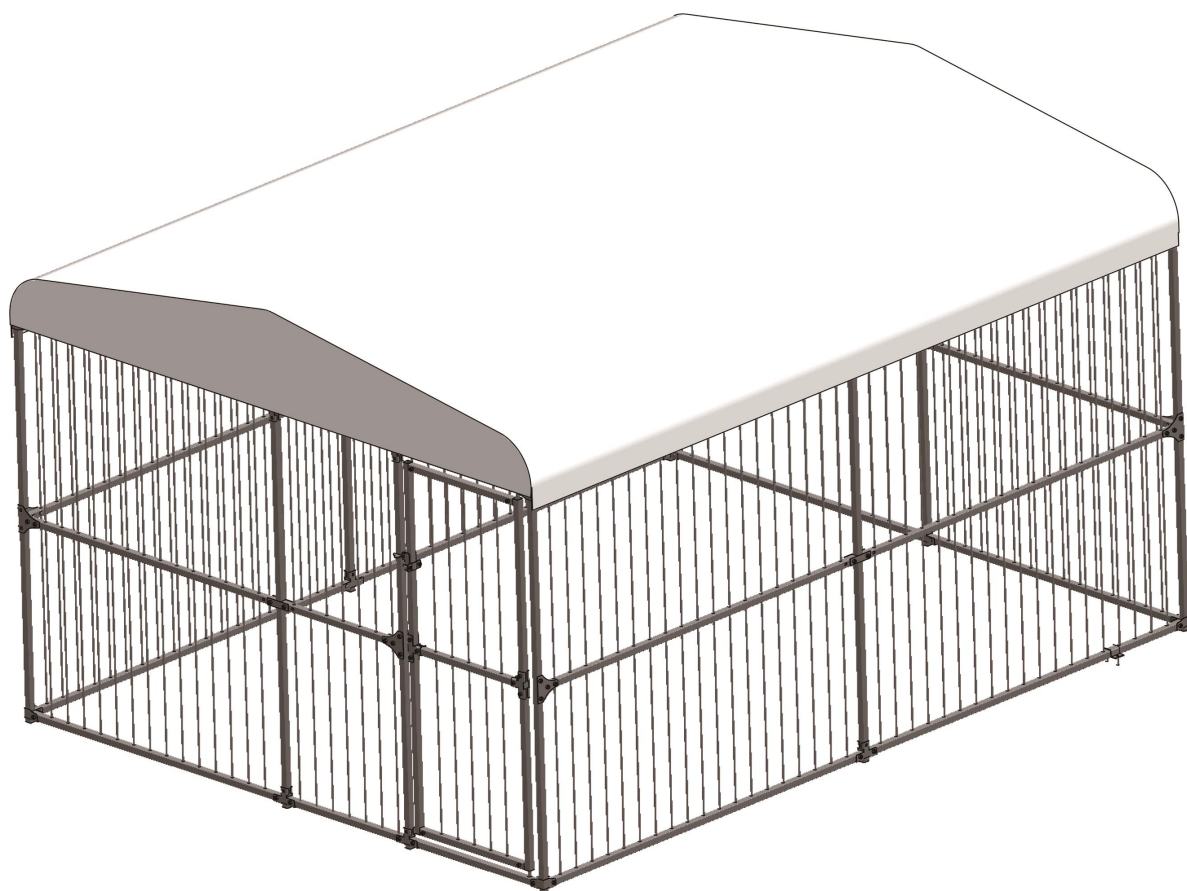
○ 4mx3mx2.2m

Step 5 - (optional)

Ground Anchor

It is an optional extra for hard surface use.

Pls disregard this step if no ground anchor has been purchased.



 **4mx3mx2.2m**

Thank You for Buying from InTheMarket.ie!

We appreciate your support. As a valued customer, please use the discount code ITM5 for your next purchase for a 5% discount. Feel free to share with family and friends. We hope that you have many happy years with your new Dog Run. Please note that even outside of your warranty, we carry spares and we also have a repair service available, so your product will last for many, many years.

We Would Love to Hear What You Think.

We are a small, Irish, family business and we only sell to the Irish people. We Irish love to hear about other people's experiences, so it would mean a lot if you could take a few minutes to leave a review about our products and service on www.TrustPilot.com. Just search for Inthemarket.ie. Thanks again.

Follow Us for Discounts, Offers and New Products



@inthemarket.ie



@marketinthe



@inthemarket99

Registered Company: Bunanstua Ltd., t/a InTheMarket.ie

Tel:021-4389345 Email: info@inthemarket.ie

VAT Registered 3700247RH. CRO Number 672650.

Copyright © 2022. All rights reserved by InTheMarket.ie

inthemarket.ie

inthemarket.ie